



NMT PLUS 25/60-180

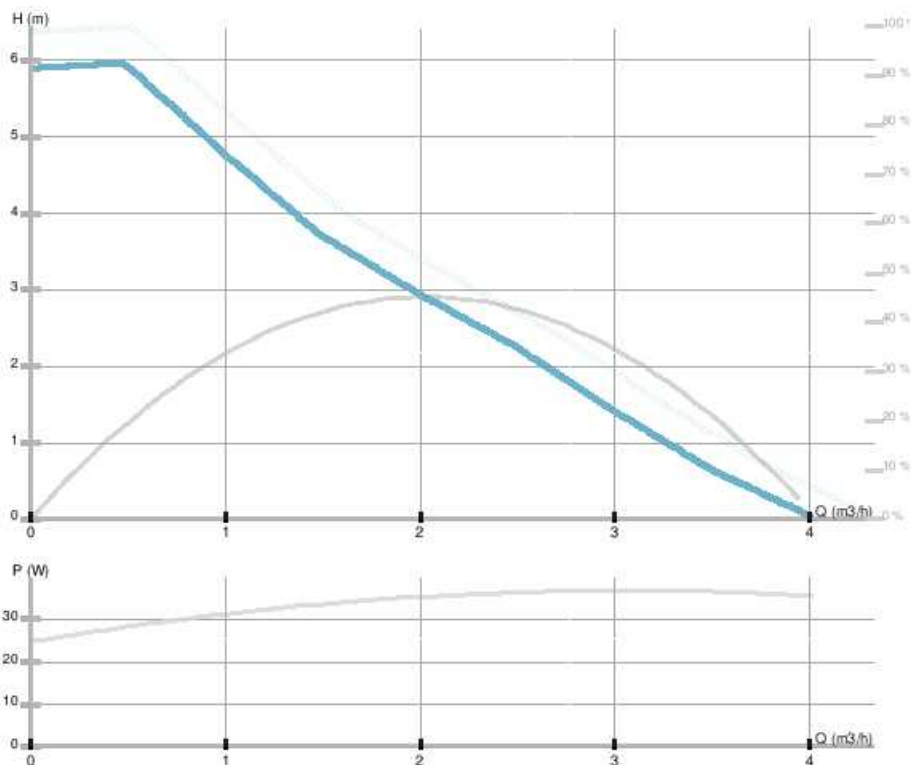
979523853

NMT PLUS ER / Electronically regulated circulating pump with external control

Heating/cooling, Klimatizacija

GENERAL

Part number	979523853		
Part name	NMT PLUS 25/60-180		
Seal type		EEI	0.17
Net weight	2.39 [kg]		
H max	5.76 [m]	H min	0.0 [m]
Q max	3.31 [m³/h]	Q min	0.0 [m³/h]
	38 [%]		
Noise	≤43 dB(A)		



ELECTRICAL DATA

Power supply	1-230 V
Mains frequency	50 Hz
Motor power	36 [w]
RPM	4100 [1/min]
Insulation class	F
Declared current	0.32 [A]
Declared protection	IP44
Thermal protection	
Frame size	
Motor IE class	

INSTALLATION

Fluid	Water VDI 2035, glycol 40%
Fluid temperature	-10.0 ÷ 110.0 [°C]
Ambient temp. range	40 deg C
Length	180 [mm]
DN	25 [mm]
Connector	G 1 ½
Connection	G 1 ½
Max pressure	1.0 MPa

MATERIAL

Bearing material	Ceramics
Impeller material	Noryl 1630V
Hydraulics material	Gray cast iron
Shaft material	Ceramics



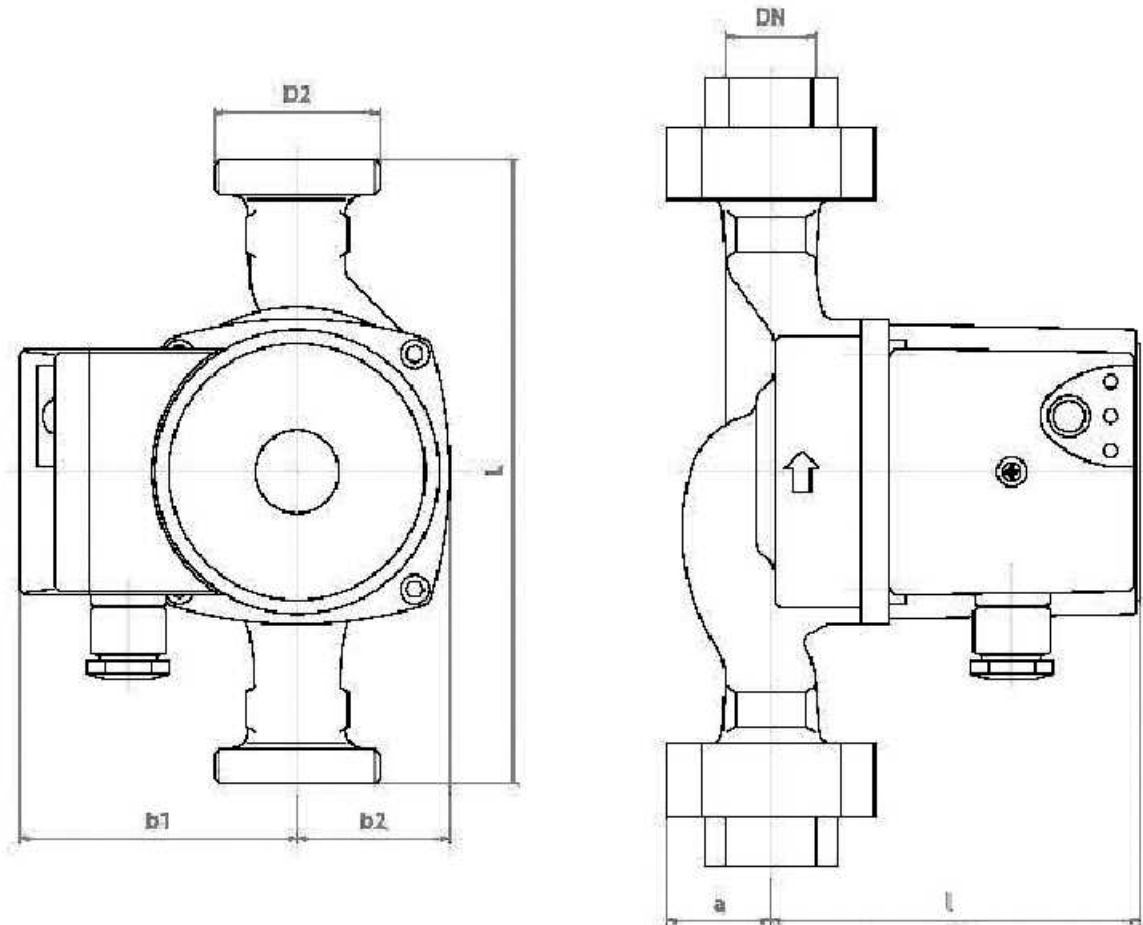
NMT PLUS 25/60-180

979523853

NMT PLUS ER / Electronically regulated circulating pump with external control

Heating/cooling, Klimatizacija

Dimension drawing



L=180 DN=25 b1=80 b2=48 l=108 a=32 D2=6/4



NMT PLUS 25/60-180

979523853

NMT PLUS ER / Electronically regulated circulating pump with external control

Heating/cooling, Klimatizacija

Electrical wiring

