



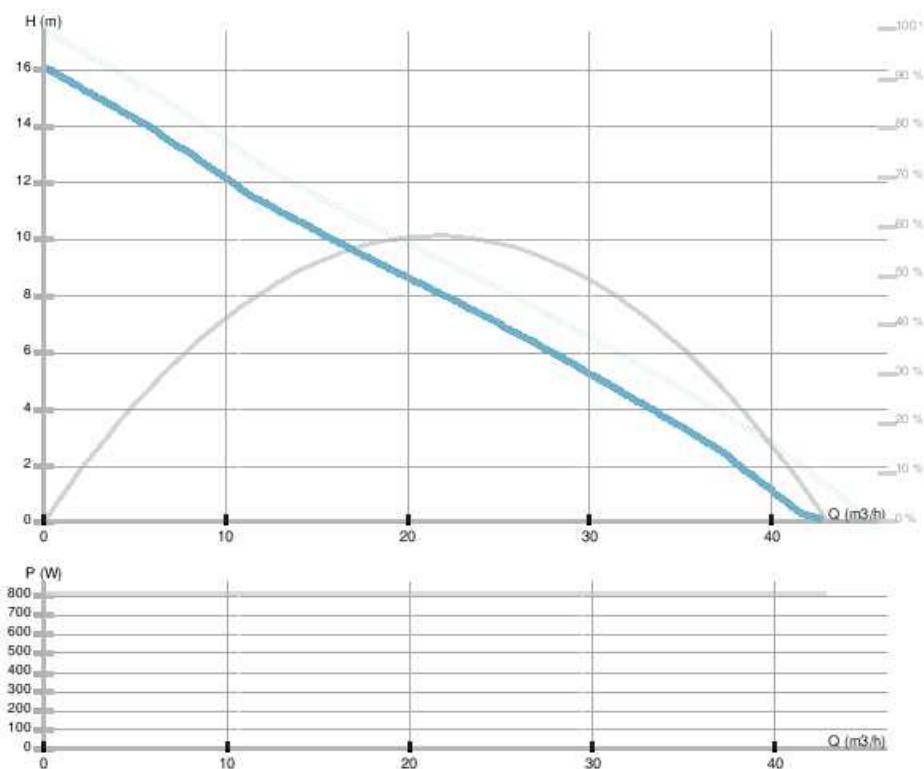
NMT MAX 50/180 F280

979524898

NMT MAX / Electronically regulated circulating pump
Heating/cooling

GENERAL

Part number	979524898		
Part name	NMT MAX 50/180 F280		
Seal type		EEI	0.2
Net weight	15.75 [kg]		
H max	16.0 [m]	H min	0.0 [m]
Q max	43.0 [m3/h]	Q min	0.0 [m3/h]
	58 [%]		
Noise	743 dB(A)		



ELECTRICAL DATA

Power supply	1-230 V
Mains frequency	50/60 Hz
Motor power	820 [w]
RPM	4900 [1/min]
Insulation class	H
Declared current	3.6 [A]
Declared protection	IP44
Thermal protection	NTC
Frame size	
Motor IE class	

INSTALLATION

Fluid	Water VDI 2035, glycol 40%
Fluid temperature	-10.0 ÷ 110.0 [°C]
Ambient temp.range	40 deg C
Length	280 [mm]
DN	50 [mm]
Connector	PN 6/10
Connection	PN 6/10
Max pressure	1.0 MPa

MATERIAL

Bearing material	Graphite
Impeller material	PES GF 30
Hydraulics material	Gray cast iron
Shaft material	AISI 420

NMT MAX 50/180 F280

979524898

NMT MAX / Electronically regulated circulating pump

Heating/cooling



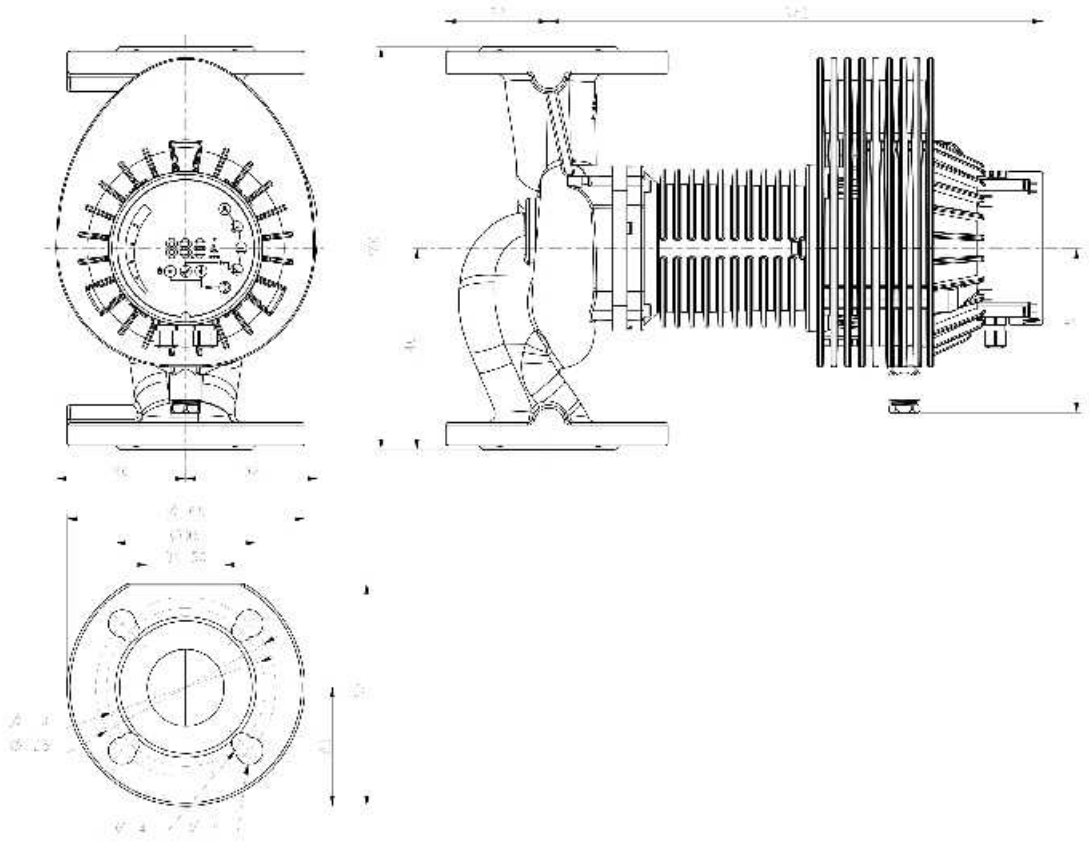


NMT MAX 50/180 F280

979524898

NMT MAX / Electronically regulated circulating pump
Heating/cooling

Dimension drawing





NMT MAX 50/180 F280

979524898

NMT MAX / Electronically regulated circulating pump
Heating/cooling

Electrical wiring

