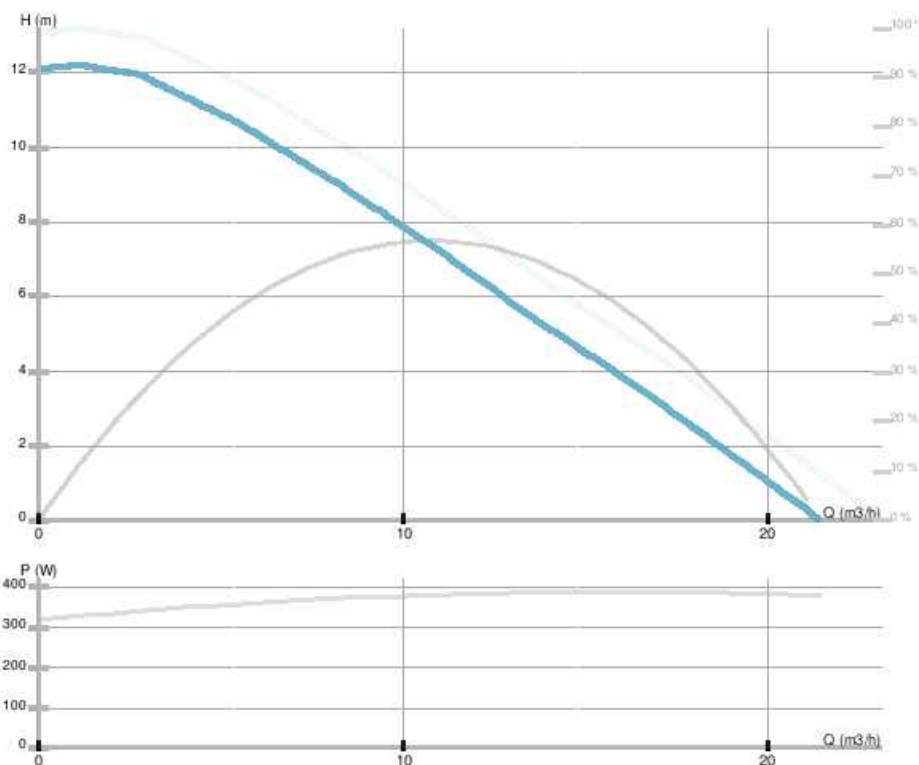


**NMT MAX 32/120 F220**

979524665

 NMT MAX / Electronically regulated circulating pump
 Heating/cooling, Klimatizacija
GENERAL

Part number	979524665		
Part name	NMT MAX 32/120 F220		
Seal type	EEL		0.2
Net weight	9.80 [kg]		
H max	12.21 [m]	H min	0.0 [m]
Q max	21.46 [m3/h]	Q min	0.0 [m3/h]
	57 [%]		
Noise	743 dB(A)		

**ELECTRICAL DATA**

Power supply	1-230 V
Mains frequency	50/60 Hz
Motor power	380 [w]
RPM	4500 [1/min]
Insulation class	H
Declared current	1.8 [A]
Declared protection	IP44
Thermal protection	NTC
Frame size	
Motor IE class	

INSTALLATION

Fluid	Water VDI 2035, glycol 40%
Fluid temperature	-10.0 ÷ 110.0 [°C]
Ambient temp. range	40 deg C
Length	220 [mm]
DN	32 [mm]
Connector	PN 6/10
Connection	PN 6/10
Max pressure	1.0 MPa

MATERIAL

Bearing material	Graphite
Impeller material	PES GF 30
Hydraulics material	Gray cast iron
Shaft material	AISI 420

NMT MAX 32/120 F220

979524665

NMT MAX / Electronically regulated circulating pump

Heating/cooling, Klimatizacija



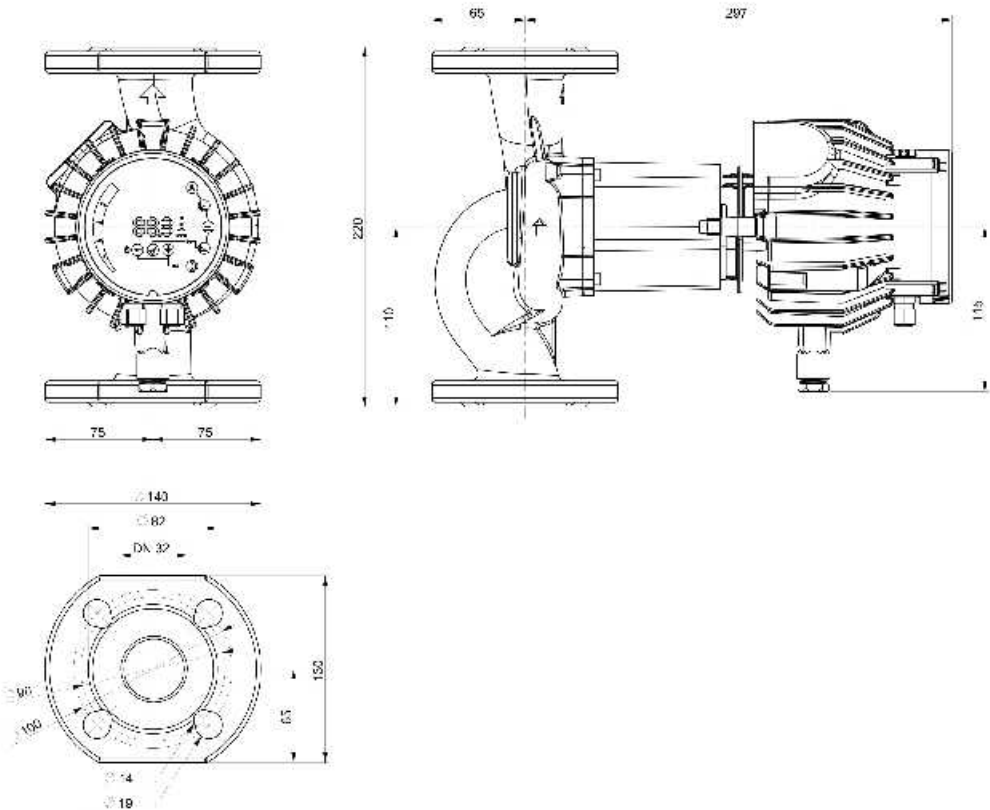


NMT MAX 32/120 F220

979524665

NMT MAX / Electronically regulated circulating pump
Heating/cooling, Klimatizacija

Dimension drawing





NMT MAX 32/120 F220

979524665

NMT MAX / Electronically regulated circulating pump
Heating/cooling, Klimatizacija

Electrical wiring

