



GHNMBasic II 40-190F

979524609

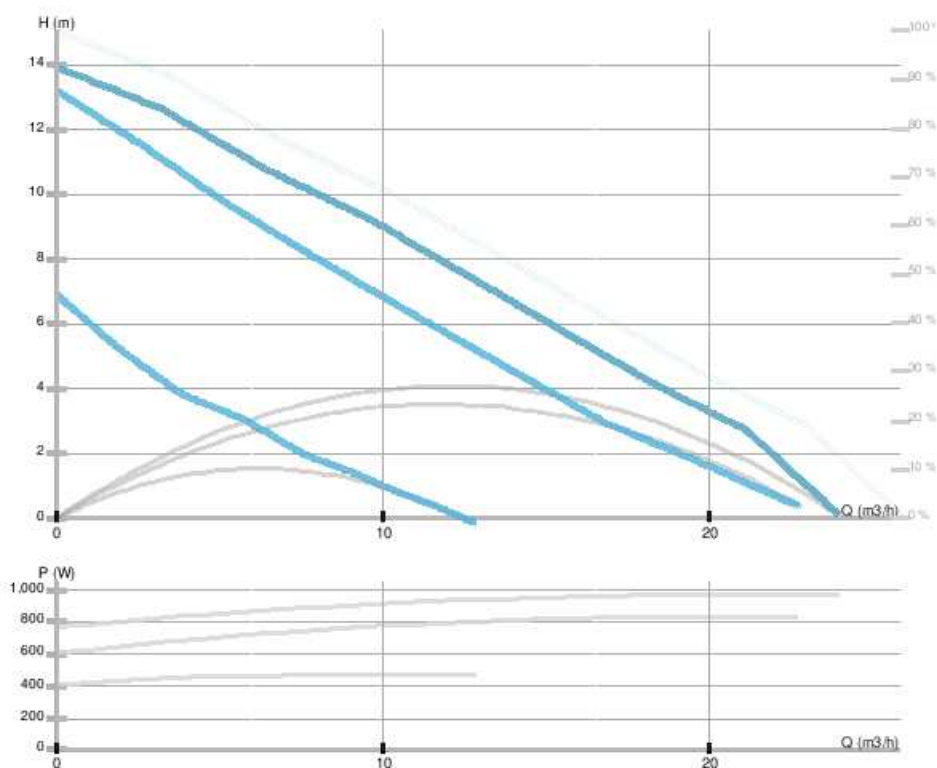
GHNMBasic II / Three speeds circulation pumps with flanges 230V

MONOPHASE

Heating/cooling

GENERAL

Part number	979524609		
Part name	GHNMBasic II 40-190F		
Seal type			
Net weight	22.50 [kg]		
H max	14.0 [m]	H min	0.0 [m]
Q max	24.0 [m3/h]	Q min	0.0 [m3/h]
Noise	[%] dB(A)		



ELECTRICAL DATA

Power supply	1-230 V
Mains frequency	50 Hz
Motor power	970 [w]
RPM	[1/min]
Insulation class	200
Declared current	4.3 [A]
Declared protection	IP44
Thermal protection	
Frame size	
Motor IE class	

INSTALLATION

Fluid	Water VDI 2035, glycol 50%
Fluid temperature	-10.0 ÷ 120.0 [°C]
Ambient temp.range	40 deg C
Length	250 [mm]
DN	40 [mm]
Connector	PN 6/10
Connection	PN 6/10
Max pressure	

MATERIAL

Bearing material	Graphite
Impeller material	Noryl 1630V
Hydraulics material	Gray cast iron
Shaft material	AISI 431

GHNbasic II 40-190F

979524609

GHNbasic II / Three speeds circulation pumps with flanges 230V MONOPHASE

Heating/cooling





GHNbasic II 40-190F

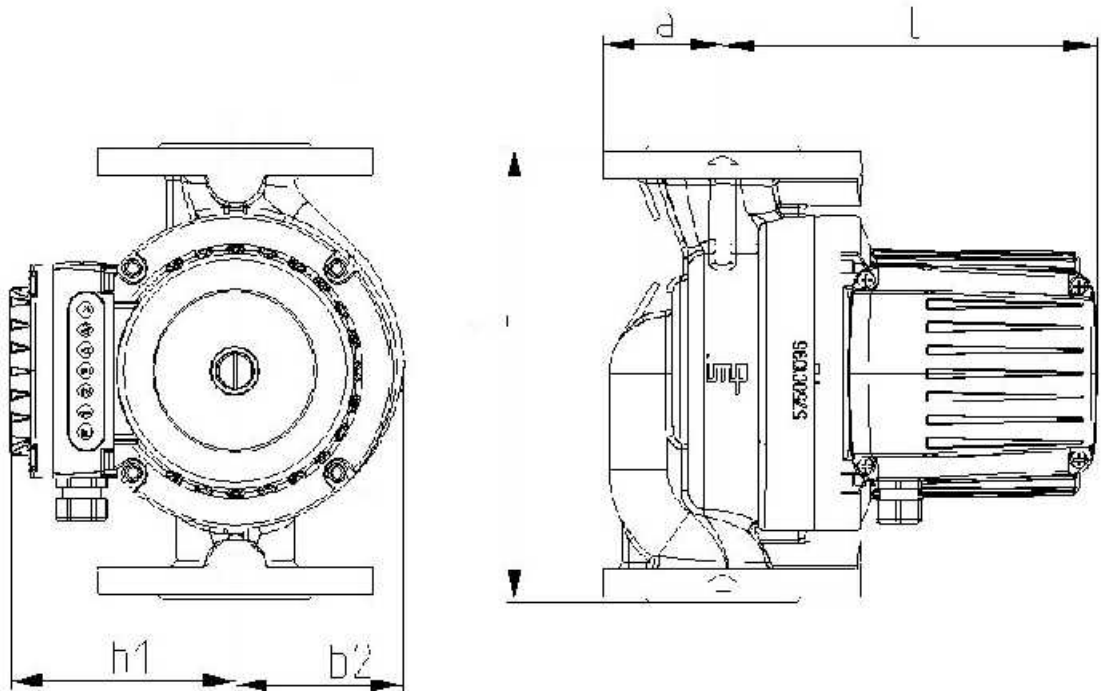
979524609

GHNbasic II / Three speeds circulation pumps with flanges 230V

MONOPHASE

Heating/cooling

Dimension drawing



DN=40 L=250 a=65 l=198 b1=125 b2=92 R=1/4



GHNMBasic II 40-190F

979524609

GHNMBasic II / Three speeds circulation pumps with flanges 230V

MONOPHASE

Heating/cooling

Electrical wiring

