



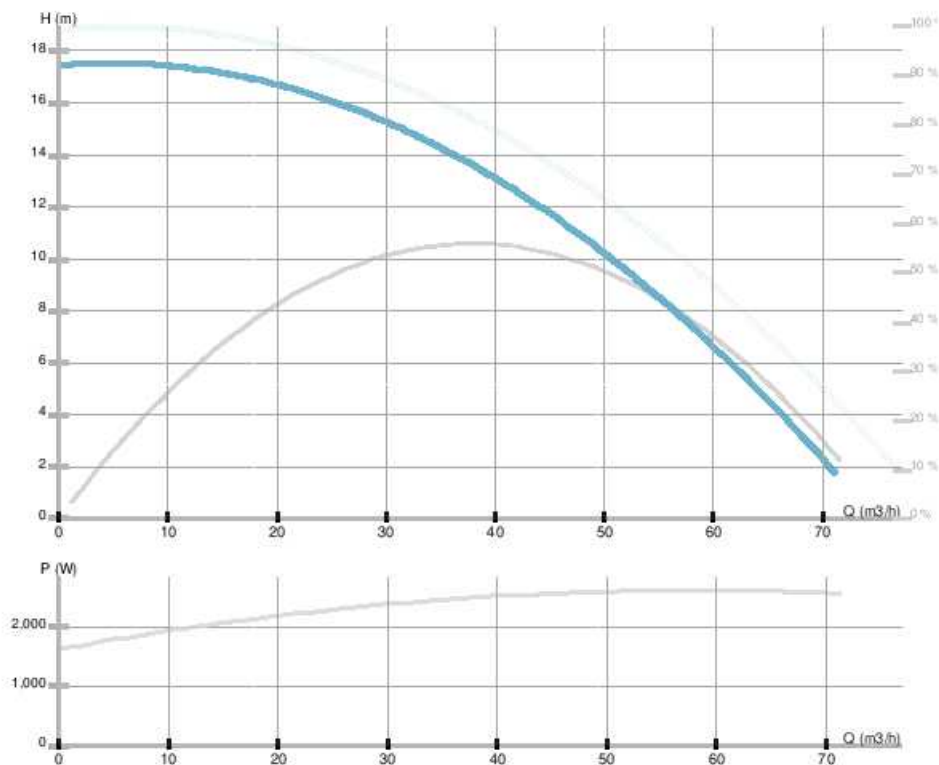
CL 65-170/2/2.2K

979522081

CL / Standard in-line pumps

GENERAL

Part number	979522081		
Part name	CL 65-170/2/2.2K	MEI	≈ 0,40
Seal type	Mechanical seal		
Net weight	65.00 [kg]		
H max	17.2 [m]	H min	10.9 [m]
Q max	71.0 [m3/h]	Q min	4.9 [m3/h]
	[%]		
Noise	66 dB(A)		



ELECTRICAL DATA

Power supply	3~ 230/400V
Mains frequency	50 Hz
Motor power	2200 [w]
RPM	2870 [1/min]
Insulation class	F
Declared current	4.43 [A]
Declared protection	IP55
Thermal protection	PTC
Frame size	90L
Motor IE class	IE3

INSTALLATION

Fluid	Water VDI 2035, glycol 50%
Fluid temperature	-20.0 ÷ 140.0 [°C]
Ambient temp.range	40 deg C
Length	360 [mm]
DN	65 [mm]
Connector	PN16
Connection	PN16
Max pressure	16 bar

MATERIAL

Bearing material	AQ1EGG
Impeller material	Gray cast iron
Hydraulics material	Gray cast iron
Shaft material	Stainless steel

CL 65-170/2/2.2K

979522081

CL / Standard in-line pumps



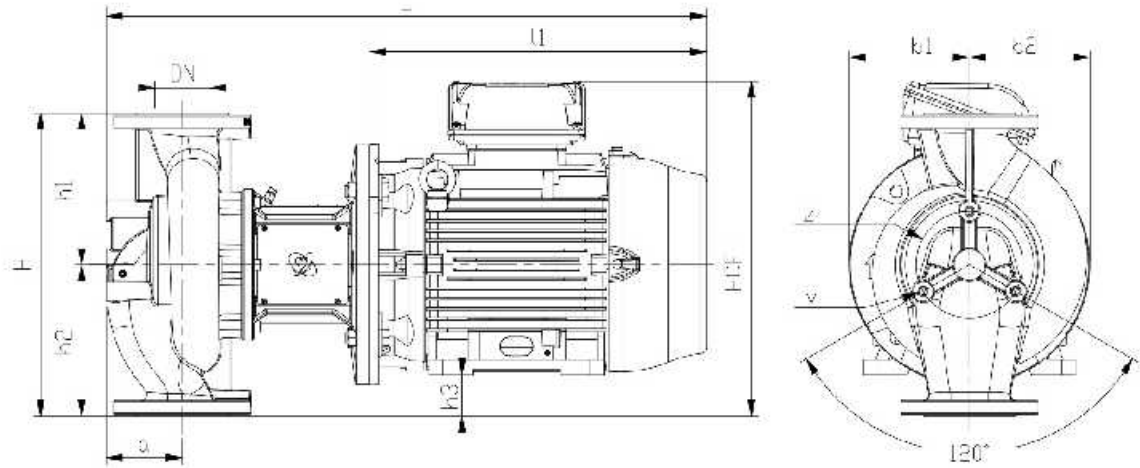


CL 65-170/2/2.2K

979522081

CL / Standard in-line pumps

Dimension drawing



b1=130;b2=118;H=360;h1=180;h2=180;h3=93;HCEL=360;a=114;L=557;l1=280;V=3xM12(L=25);Z=φ142



CL 65-170/2/2.2K

979522081

CL / Standard in-line pumps

Electrical wiring

