



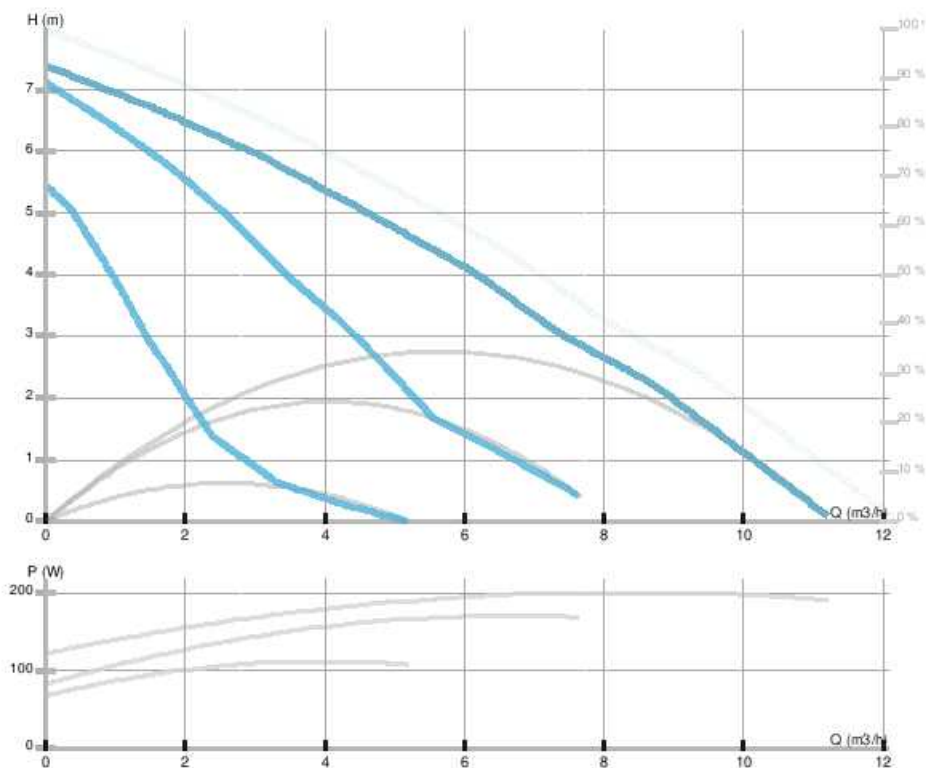
GHN 32/80-180

979521944

GHN / Threaded circulation pumps with three speeds
Heating/cooling, Klimatizacija

GENERAL

Part number	979521944		
Part name	GHN 32/80-180		
Seal type			
Net weight	4.80 [kg]		
H max	7.4 [m]	H min	0.0 [m]
Q max	11.0 [m3/h]	Q min	0.0 [m3/h]
Noise	[%]		
	dB(A)		



ELECTRICAL DATA

Power supply	1-230 V
Mains frequency	50 Hz
Motor power	210 [w]
RPM	1150 - 2450 [1/min]
Insulation class	200
Declared current	0.95 [A]
Declared protection	IP44
Thermal protection	
Frame size	
Motor IE class	

INSTALLATION

Fluid	Water VDI 2035, glycol 40%
Fluid temperature	-10.0 ÷ 110.0 [°C]
Ambient temp.range	35 deg C
Length	180 [mm]
DN	32 [mm]
Connector	G 2
Connection	G 2
Max pressure	1.0 MPa

MATERIAL

Bearing material	Graphite
Impeller material	Noryl 1630V
Hydraulics material	Gray cast iron
Shaft material	AISI 420

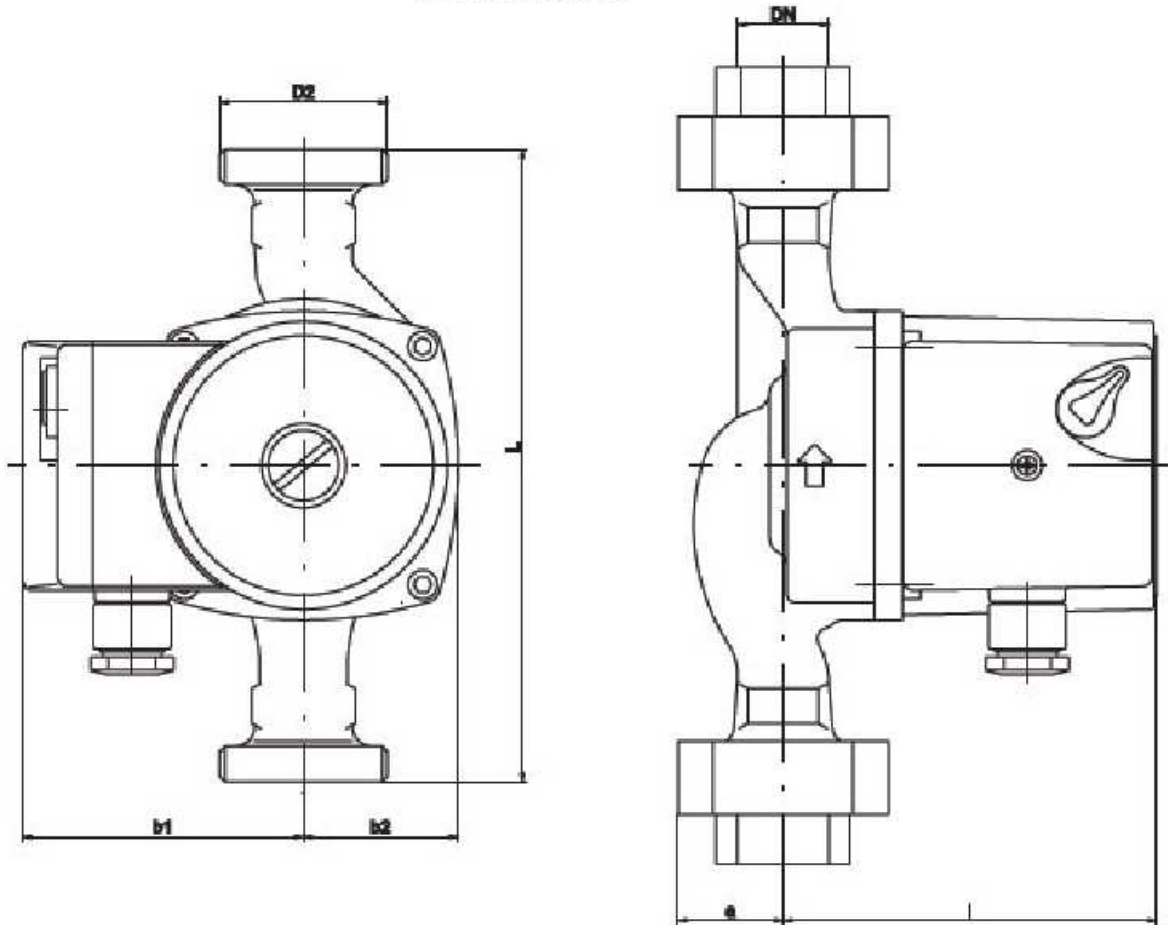


GHN 32/80-180

979521944

GHN / Threaded circulation pumps with three speeds
Heating/cooling, Klimatizacija

Dimension drawing



DN=32 D2=2" L=180 l=108 b1=80 b2=44 a=30



GHN 32/80-180

979521944

GHN / Threaded circulation pumps with three speeds
Heating/cooling, Klimatizacija

Electrical wiring

